

# ELECTRONIC CONSTANT VOLTAGE DIMMABLE DRIVER -UL Listed



This Series of Class 2 LED drivers offers a wide range of output power from 40 to 96 watts in 12/24VDC. This series is fully dimmable with any standard MLV / Incandescent TRIAC (Leading edge) dimmer switches on the market and delivers smooth flicker free dimming. The UL Listed version includes a wiring compartment with 2 knockouts to enable easy-installation and eliminates the need of a J-Box. This line is Nema 3R rated and fully operational in indoor and outdoor applications. The E-Series is designed to operate under extreme environmental conditions. 5-year warranty is a standard on all of our dimmable products.

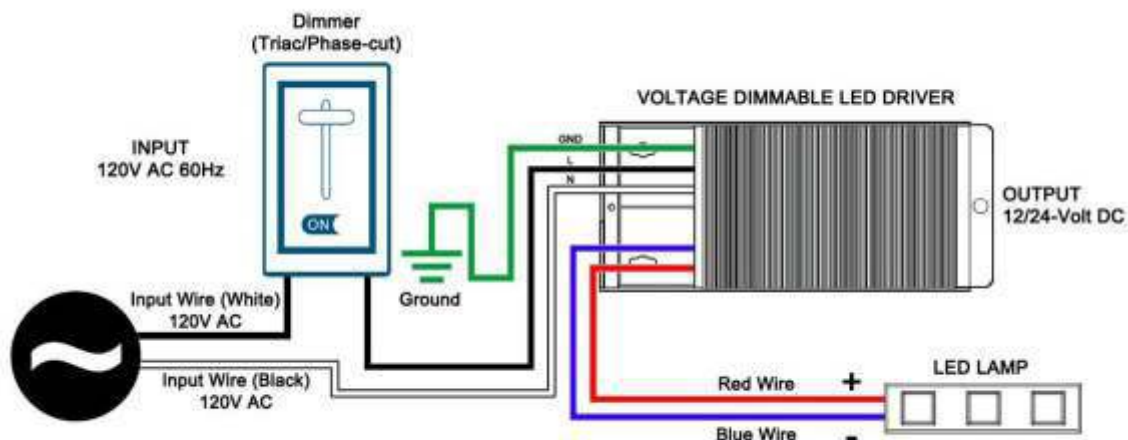
## QUICK SPECS

Input Voltage	Max Output Power	Output Voltage	Output Current	Efficiency @Max. Load	THD @Max. Load	Power Factor@ Max. Load	Envir. Protection Rating	Weight
120VAC	40-96W	12/24VDC	1.6-5A	>90%	<20%	>0.95	NEMA 3R	720g

## FEATURES

- Dimmable with any standard MLV/Incandescent TRIAC (Leading edge) dimmer switch
- Super compact ALUMINUM CASE
- Class 2
- UL8750
- Nema 3R - Outdoor Use
- Auto-Reset Protection for short circuit & over voltage
- NO minimum load is required for smooth dimming
- Compatible with both magnetic and electrical dimmer

## WIRING DIAGRAM



## **SPECIFICATIONS**

### **Input**

Input Voltage	120VAC
Input Current @ Max Load	0.61A
Power Factor	0.95
Efficiency	>90%

### **Output**

Max Load	40-96W
Output Voltage	12/24VDC
Output Current @ Max Load	1.6-5A

### **Environmental**

Operating Ambient Temperature	-30°C-50°C
-------------------------------	------------

### **Protections**

Short Circuit Protection	Yes
Over Current Protection	Yes
Over Temperature	Yes
Open Circuit Protections	Yes

### **Mechanical & Housing**

Input Wires (White/Black)	18 AWG
Output Wires (Red/Black)	14AWG
Length	177mm
Width	70mm
Height	35mm
Weight	720g
Housing Material	Aluminum
Housing Color	Black
Junction Box	Yes
Mounting	Two hole flange mounting

### **Approval Markings**

Certificates / Approval Signs	UL 8750, class 2
-------------------------------	------------------